

(1) SMR Code	(2) Federal Stock Number	(3) DESCRIPTION	(4) Unit of meas	(5) inc. allowance	(6) in	(7) allowance	(8) alw	(9) maint	(10) per 100 equip	(11) Figure	(12) Iten No.
Reference Number & Mfr. Code			Usable On Code			(a)	(b)	(c)	(a)	(b)	(c)
						1-20	21-5	51-10	1-20	21-5	51-10
1202-SERVICE BRAKES-CONTINUED											
X1-F		PLATE: BRAKE BACKING 8758316 (19207)	A		6					79	25
P-O	2530-232-6	COVER: MOUNTING PLATE,DUST 8758357 (19207)	A	EA	1	*	*	*	*	4	8 79 26
P-F	2530-740-9	SHIELD,BRAKE CAM: 7409381 (19207)	A	EA	1	*	*	*	*	6	20 79 27
P-F	2520-692-6	PLATE: BRAKE BACKING 8332557 (19207)	A	EA	1	*	*	*	*	6	20 79 28
P-O	2530-137-9	PARTS KIT,GUIDE PIN: SERVICE BRAKES 11677781 (19207)	A			*	*	*	*	15	40
CONSISTING OF:											
1-SPRING 11663025 (19207)											
1-GUIDE PIN 11663231 (19207)											
3-WASHERS 11663232 (19207)											
1-SPRING 11663233 (19207)											
1-NUT 11663236 (19207)											
	5310-732-0	1-NUT MS51968-8 (96906)								79	19
	5310-595-7	1-WASHER,LOCK MS35333-42 (96906)								79	18
P-F	2530-394-3	LINING,SET: BRAKESHOE 7409375 (19207)	A			*	*	*	*	15	40 N/I
CONSISTING OF:											
4-LINING 2740226 (78500)											
	5320-058-9	64-RIVETS MS16536-172 (96906)									
1204-HYDRAULIC BRAKE SYSTEM											
P-O	4730-516-7	BOLT,FULID PASSAGE: MULTIPLE CONNECTOR A167419 (19207)	A	EA	6	*	*	*	*	6	10 80 1
P-O	5310-209-1	WASHER,FLAT: MULTIPLE CONNECTOR A215674 (19207)	A	EA	6	*	*	*	*	6	10 80 2
P-O	4730-528-2	CONNECTOR,MULTIPLE: FLUID PRESSURE LINE 5282743 (19207)	A	EA	6	*	*	*	*	4	10 80 3
P-O	5310-275-6	WASHER,FLAT: MULTIPLE CONNECTOR A175415 (19207)	A	EA	6	*	*	*	*	6	10 80 4
P-O	2530-278-6	VALVE,BLEEDER: BACKING PLATE 7411071 (19207)	A	EA	6	*	*	*	*	4	10 80 5
P-O	2530-421-9	CYLINDER ASSEMBLY,WHEEL: FRONT 8758255 (19207)	A	EA	2	*	*	*	*	15	30 80 6
P-O	2530-920-7	CYLINDER ASSEMBLY,WHEEL: REAR 8758259 (19207)	A	EA	4	*	*	*	*	30	60 80 6

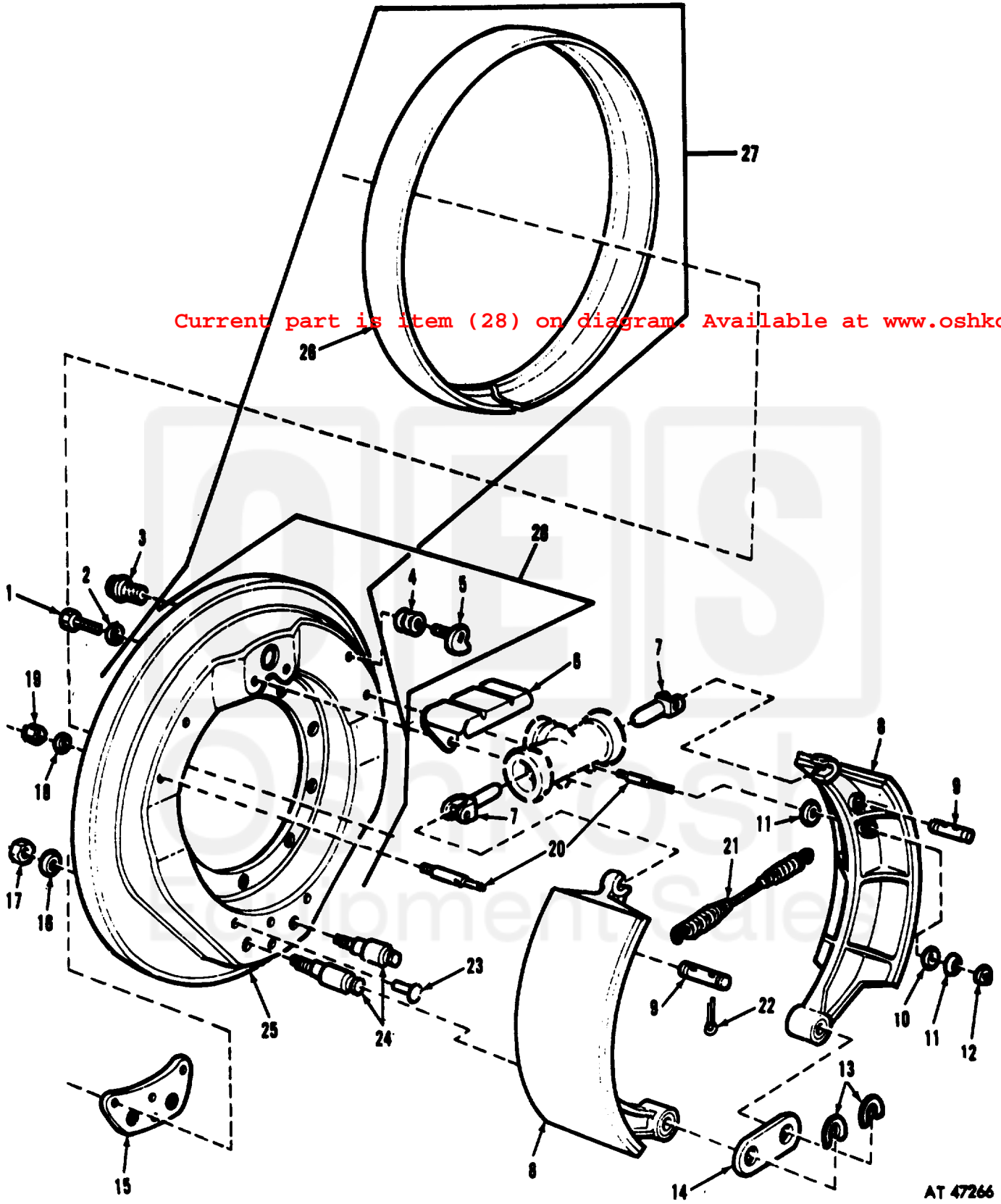


Figure 79. Service brakes.

AT 47266